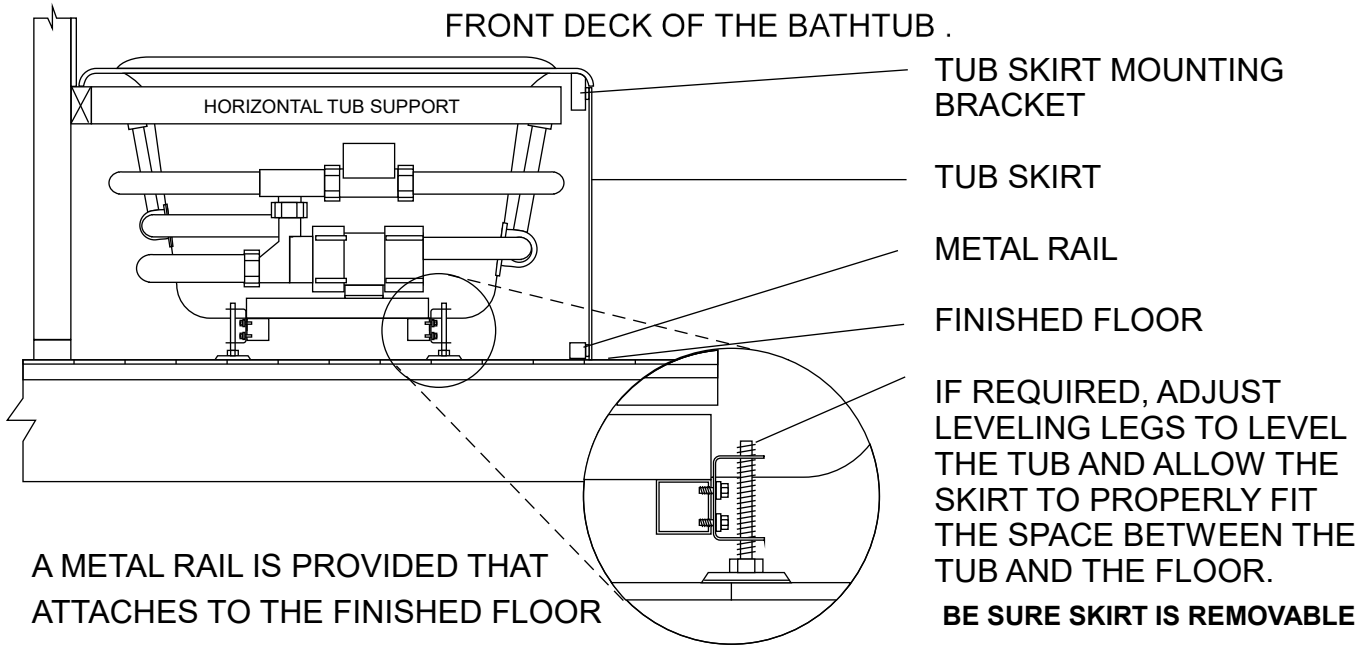


# **ACRYLIC SKIRT INSTALLATION**

**QUICK, SIMPLE, AND EASY TO INSTALL!**

***THE ONLY TOOL REQUIRED IS A PHILLIPS HEAD SCREWDRIVER!***

ALL BATHTUBS ORDERED WITH A REMOVABLE SKIRT COME EQUIPPED WITH METAL BRACKETS FACTORY INSTALLED UNDERNEATH THE FRONT DECK OF THE BATHTUB .



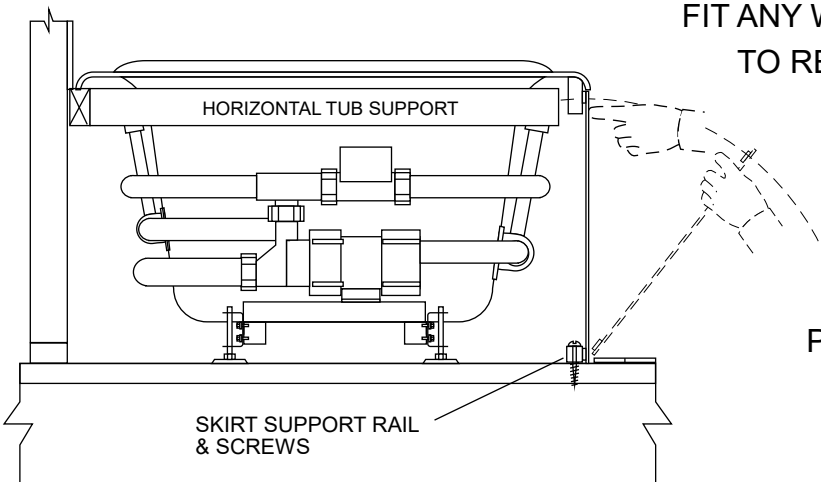
A METAL RAIL IS PROVIDED THAT ATTACHES TO THE FINISHED FLOOR OF THE BATHROOM BELOW & IN LINE WITH THE UPPER BRACKETS. THE FLOOR RAIL IS CUT AND DRILLED TO FIT THE TUB SO ALL THE INSTALLER HAS TO DO IS SCREW THE RAIL TO THE FLOOR. IF THE FLOOR IS TILED OR CONCRETE, THE RAIL CAN BE ATTACHED USING ANCHORS OR CONSTRUCTION ADHESIVE.

**BE SURE SKIRT IS REMOVABLE AFTER FINISHED FLOOR IS INSTALLED.**

THE ACRYLIC TUB SKIRT IS ATTACHED AT THE TOP AND BOTTOM WITH FACTORY INSTALLED MAGNETS THAT SECURELY HOLD IT IN PLACE. THE BOTTOM AND ENDS OF THE SKIRT CAN BE TRIMMED WITH A FINE TOOTH FINISH BLADE TO FIT ANY WALL OR FLOOR IRREGULARITIES.

TO REMOVE THE SKIRT SIMPLY ATTACH THE SUCTION CUP PROVIDED TO ANY CORNER OF THE PANEL AND GENTLY PULL IT AWAY FROM THE METAL BRACKETS AND RAIL.

IT MAY BE POSSIBLE TO PLACE THE BOTTOM OF THE SKIRT BEHIND THE EDGE OF THE FINISHED FLOOR MATERIAL AND TIP THE SKIRT INTO POSITION.



WHEN INSTALLED, THE ACRYLIC PANEL IS RECESSED APPROXIMATELY 1/8" FROM THE EDGE OF THE BATHTUB.

**IT IS THE INSTALLER'S OBLIGATION TO INSURE THAT THE SKIRT FITS PROPERLY AND IS NOT UNDER STRAIN OR TWISTED. THE SKIRT CAN BE TRIMMED, BUT CARE SHOULD BE TAKEN WHEN CUTTING IT. CALL WATERTech IF YOU NEED HELP OR SUGGESTIONS. 1-800-795-7480**